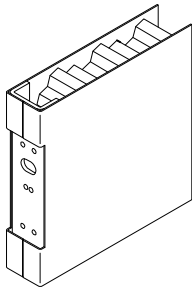
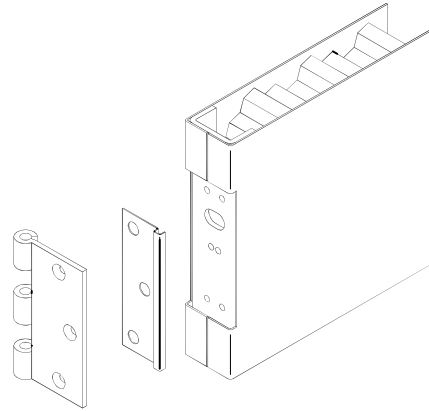


HINGE PREPS.

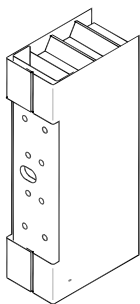
$3\frac{1}{2}$ "
HNGE
PROV.



$3\frac{1}{2}$ " HNGE PROV.
W/HNGE FILLERS



$4\frac{1}{2}$ " OR 5"
HNGE
PROV.



$4\frac{1}{2}$ " OR 5" HNGE
PROV. W/HNGE
FILLERS

