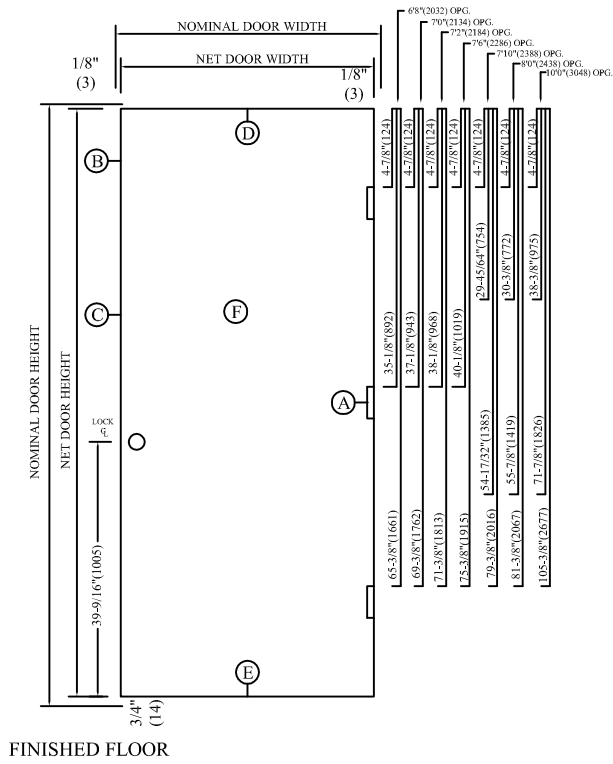
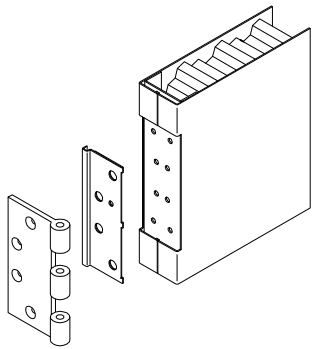
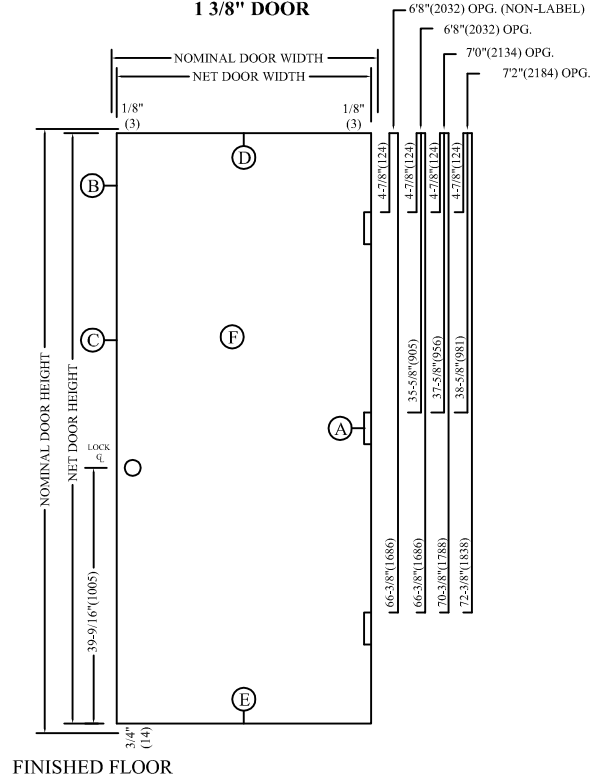


DE SERIES DOORS

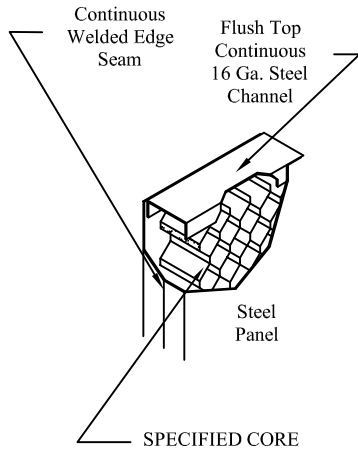
**TOP TO TOP
4 1/2" HINGES ONLY
1 3/4" DOOR**



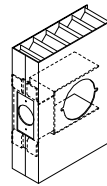
**TOP TO TOP
3 1/2" HINGES ONLY
1 3/8" DOOR**



Continuous 11 Ga. Steel Integral Hinge Reinforcement with Provision For 4 1/2" (114) x 4 1/2" (114) Full Mortise Template Hinges or 3 1/2" (89) x 3 1/2" (89) on 1 3/8" (35) Doors.

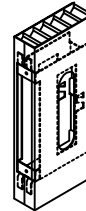


14 Ga. Closer Reinforcement when specified

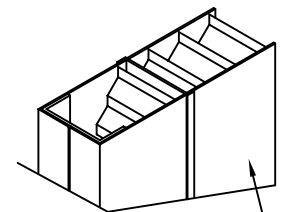
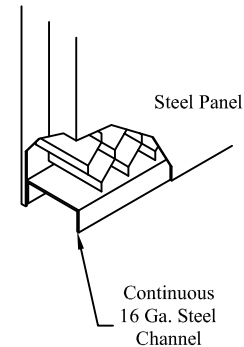


16 Ga. steel cylindrical lock reinforcement with provisions for Gov't Series 160 or 161 cylindrical lock sets (2-3/4" backset) and ANSI A115.2 lock front (1-1/8" x 2-1/4")

16 Ga. Mortise Lock reinforcement with provisions for Gov't Series 86 mortise lockset and ANSI A115.1 Lock Front (1-1/4" x 8)



DOOR BOTTOM



14 Ga. Astragal for Double Doors (opt.)