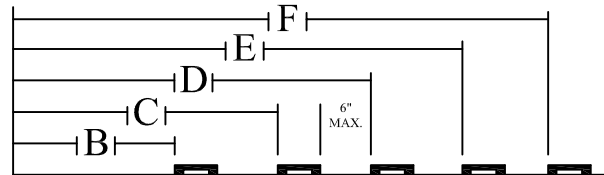
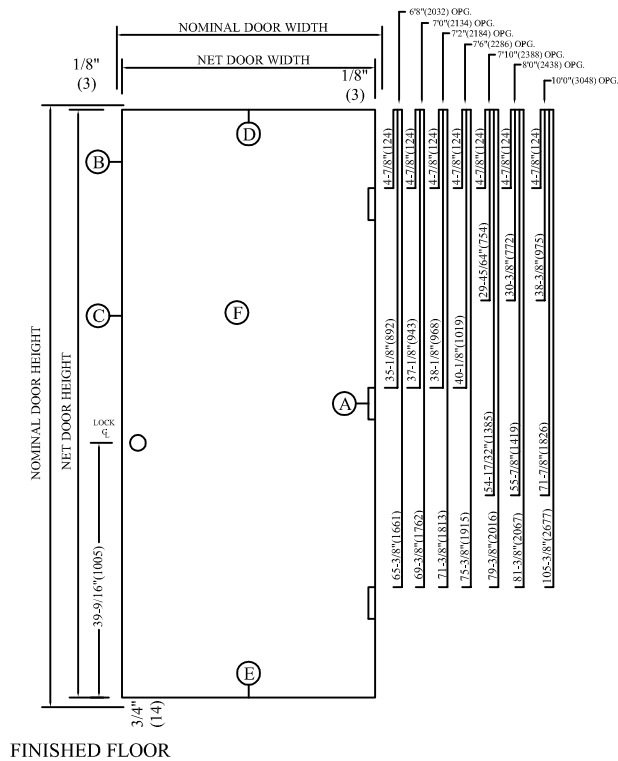
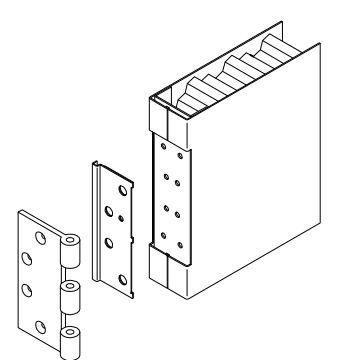
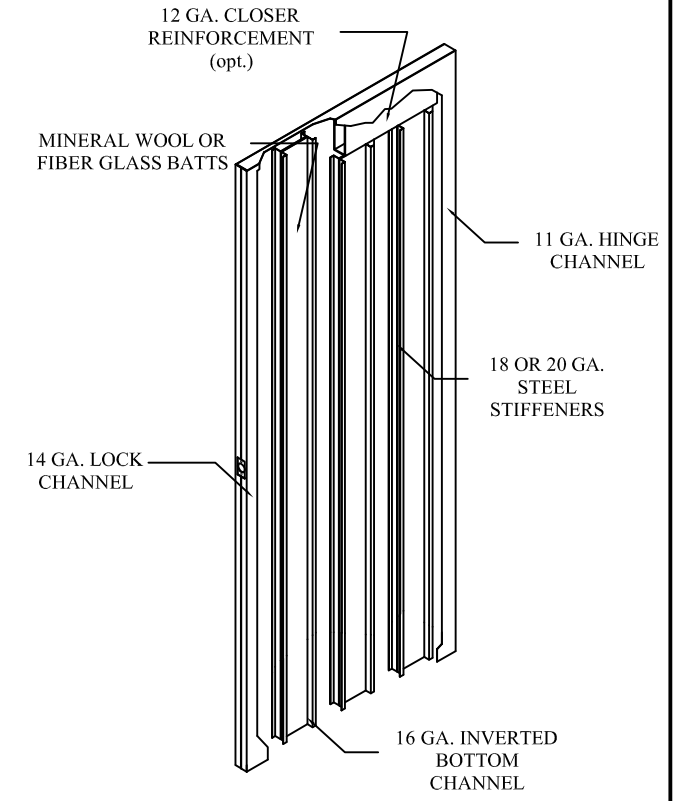


DL/DE SERIES - STEEL STIFFENED

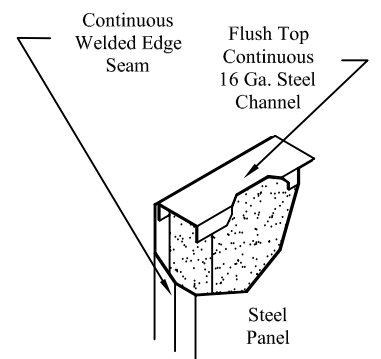
**TOP TO TOP
4 1/2" HINGES ONLY
1 3/4" DOOR**



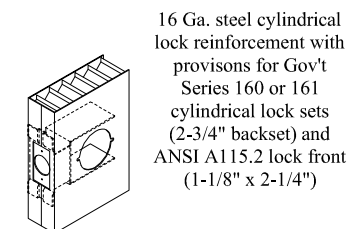
DOOR WIDTH	B	C	D	E	F
16	6"	12"			
18	6"	12"			
110	6"	12"			
20	6"	13 3/4"			
22	6"	15 3/4"			
24	6"	11 7/8"	17 3/4"		
26	6"	12 7/8"	19 3/4"		
28	6"	13 7/8"	21 3/4"		
210	6"	14 7/8"	23 3/4"		
30	6"	15 7/8"	25 3/4"		
32	6"	13"	20 3/4"	27 3/4"	
34	6"	14"	21 3/4"	29 3/4"	
36	6"	15"	22 3/4"	31 3/4"	
38	6"	16"	23 3/4"	33 3/4"	
310	6"	16"	25 3/4"	35 3/4"	
40	6"	13 15/16"	21 7/8"	29 13/16"	37 3/4"



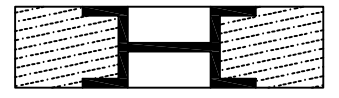
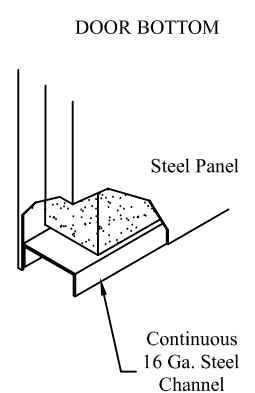
Continuous 11 Ga. Steel Integral Hinge Reinforcement with Provision for 4 1/2" (114) x 4 1/2" (114) Full Mortise Template Hinges or 3 1/2" (89) x 3 1/2" (89) on 1 3/8" (35) Doors.



Fiber Glass Batts (Density 1.5 R-Factor 6.8 U-Factor .147) or Mineral Wool



16 Ga. Mortise Lock reinforcement with provisions for Gov't Series 86 mortise lockset and ANSI A115.1 Lock Front (1-1/4" x 8)



18 OR 20 GA. VERTICAL STIFFENER {4" (102) WIDE}

DIMENSIONS IN () ARE METRIC

12 Ga. Closer Reinforcement when specified