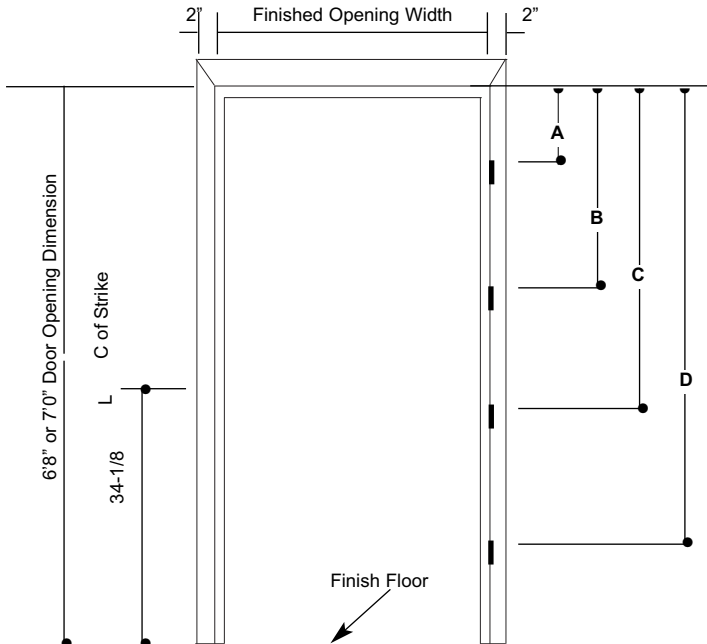


## DUTCH DOORS & FRAMES

### TECHNICAL DATA SHEET No. 501

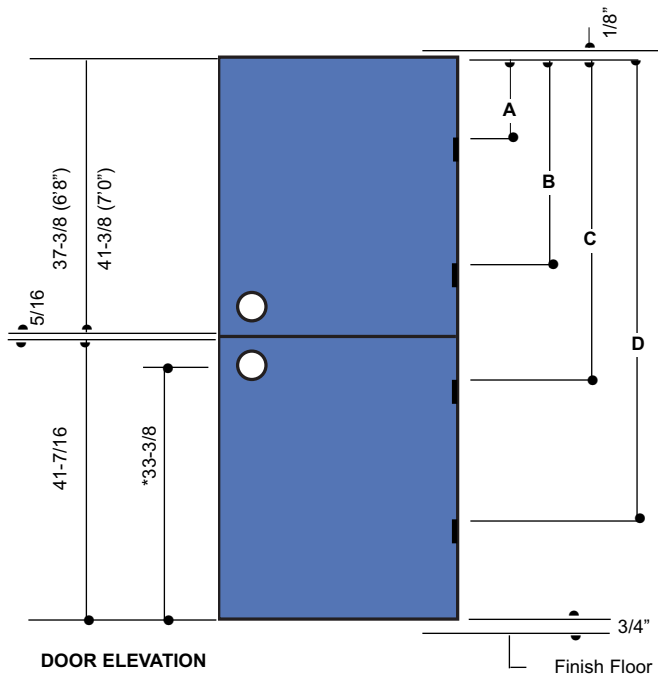


FRAME ELEVATION

### Top to Top Standard Hinge Locations 4-1/2" x 4-1/2" Hinges

NOTE: Provisions shown are for plant produced dutch doors and frames. Not to be used when modifying 8'0" doors.

Door Height	A	B	C	D
6'8"	7-1/2	25-11/16	45-3/16	67-3/8
7'0"	7-1/2	29-11/16	49-3/16	71-3/8



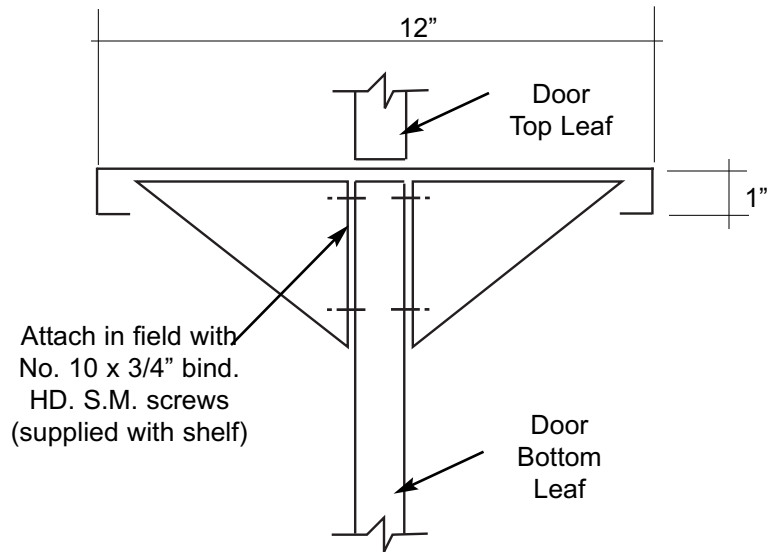
DOOR ELEVATION

\* When using 5" hinges subtract 1/4" from A, B, C, D dimensions shown above and below.

\* When Government Series 86 Lock is used (ANSI A115.1) dimension to center of lock is 3/8" less than indicated.

Door Height	A	B	C	D
6'8"	7-3/8	25-9/16	45-1/16	67-1/4
7'0"	7-3/8	29-9/16	49-1/16	71-1/4

Revised 9/14



1. Dutch door shelves are not supplied with dutch doors unless specified. Shelves are shipped loose for installation by others.
2. Standard dutch door shelves shall be fabricated of 16 gage CRS phosphatized and finished with one coat of force-cured gray prime paint.
3. See standard door technical data sheets for door and hardware details.
4. Half shelves also available.

